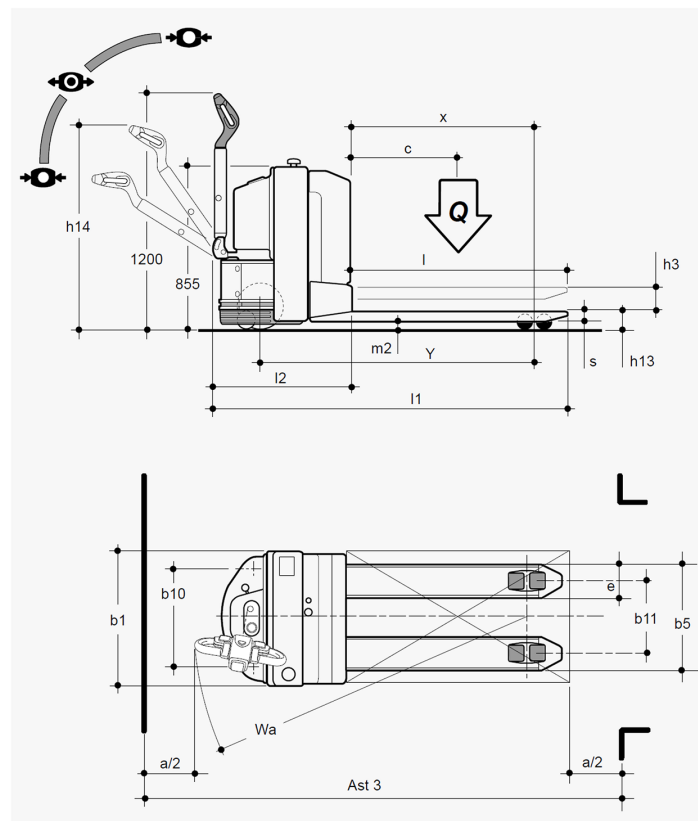


Characteristics	1.1	Manufacturer		Clark
	1.2	Manufacturer's model designation		C PT 30
				1.150x560
	1.3	Drive : E (electric)		E
	1.4	Type of control : T (tiller) S (steering wheel) A (pedestrian) P (standing) R (seated)		T / A
	1.5	Load capacity	Q (t)	3.0
	1.6	Load centre distance	c (mm)	600
	1.8	Load distance, centre of drive axle to fork	X (mm)	980
	1.9	Wheelbase	Y (mm)	1.460
Weights	2.1	Service weight (battery included)	Kg	638
	2.2	Axle loading (with load)	front / rear	Kg 1.214 / 2.440
	2.3	Axle loading (without load)	front / rear	Kg 504 / 134
Wheels, Chassis	3.1	Tyres : plt (polyurethane) vlk (vulkollan)		plt
	3.2	Front wheels size	mm	245 / 100
	3.3	Rear wheels size	mm	85
	3.4	Stabilizers wheels dimensions	mm	100
	3.5	Wheels : number front / rear (x = traction)		1x + 2 / 4
	3.6	Front track width	b 10	500
	3.7	Rear track width	b 11	380
Dimensions	4.4	Lifting height	h3 (mm)	120
	4.9	Height of tiller arm in drive position (min / max)	h14 (mm)	890 / 1.200
	4.15	Forks lowered height	h13 (mm)	85
	4.19	Total length	l1 (mm)	1.875
	4.20	Length to forks face	l2 (mm)	725
	4.21	Overall width	b1 / b2 (mm)	710
	4.22	Forks dimensions	s / e / l	60 / 180 / 1.150
	4.25	Width over forks	b5 (mm)	560
	4.32	Ground clearance	laden	m2 (mm) 25
	4.33	Aisle width for pallets 1000 x 1200 forking side 1200		Ast3 (mm)
	4.34	Aisle width for pallets 800 x 1200 forking side 800		Ast3 (mm) 2.240
4.35	Turning radius		Wa (mm) 1.820	
Performances	5.1	Travel speed	laden / unladen	Km / h 5.8 / 6
	5.2	Lifting speed	laden / unladen	m / s 0.04 / 0.05
	5.3	Lowering speed	laden / unladen	m / s 0.26 / 0.06
	5.7	Gradient performance (S2 30 min)		%
	5.8	Max gradient performance (S2 5 min)		% 10 / 18
	5.10	Service brake M (mechanical) I (hydraulic) IV (inversion braking)		IV
El. Motor	6.1	Traction motor, rating S2 60 min	KW	2
	6.2	Lift motor, rating S3 15%	KW	2
	6.3	Battery according to DIN 43531 / 35 / 36 A, B, C, no		no
	6.4	Battery voltage, nominal capacity K5	V / Ah	24 / 200
	6.5	Battery weight (± 5 %)	Kg	200
Others	8.1	Type of drive control		MOS DC
	8.4	Sound level at driver's ear	dB (A)	< 70
Technical specification according to VDI 2198				DS.067EN.REV.01
All values shown are for standard lift truck with standard equipment. If the truck is supplied with options, values may change. All values given may vary +5% and -10% due to the motor and system tolerances and represent nominal values obtained under typical operating conditions. Specification for Non-emission limited truck.				



single load wheels	s
double load wheels	s
width over fork 540mm	o
width over fork 670mm	s
polyurethane traction wheel	o
anti-slip traction wheel (rubber)	o
push button for vertical operation	o
cold store execution	o
automatic battery refilling	o
electronic braking system	o
electronic speed control	s
electromagnetic parking brake	s
BDI/hour meter with lifting cut-off at 80% discharge	s
s=standard	o=option